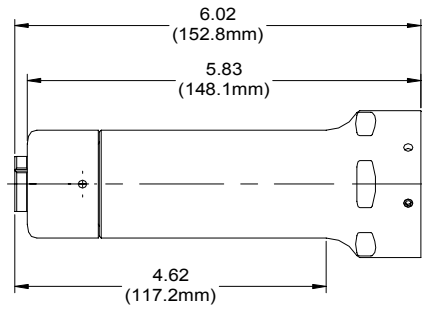
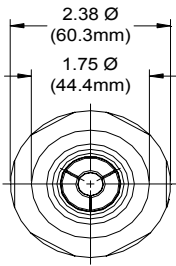
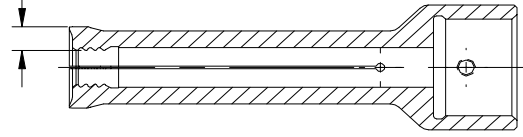


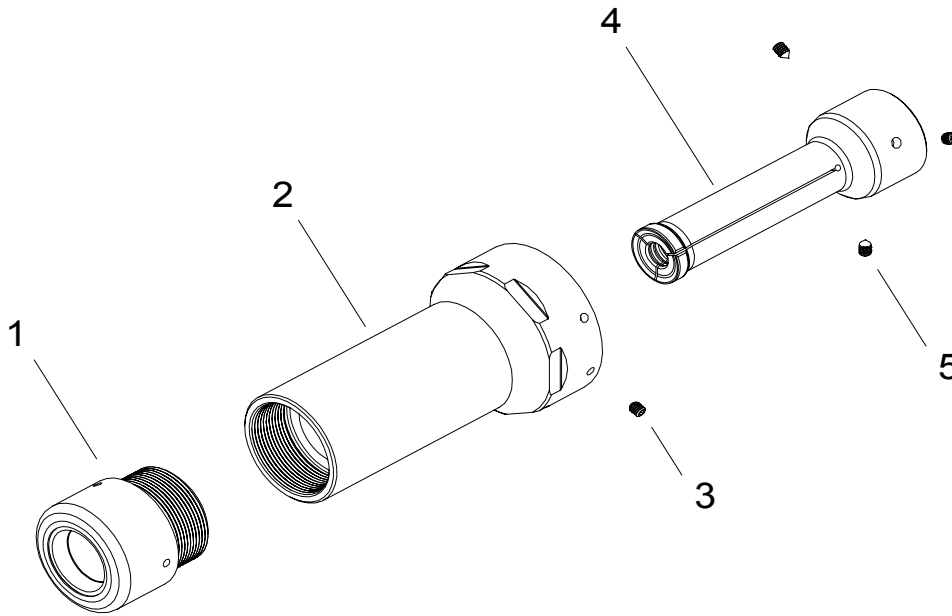
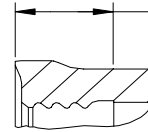
NOSE ASSEMBLY DATA SHEET



USING DIAL CALIPERS CHECK PULLER AS SHOWN. A NEW PULLER WILL CHECK .261/.262 INCHES. A WORN PULLER WILL CHECK .250 INCHES OR WILL BEGIN TO STRIP FASTENERS.



APPLY LOCTITE ANTI-SEIZE OR SOME OTHER FORM OF LUBRICANT TO OUTSIDE DIAMETER OF PULLER AS SHOWN TO KEEP FROM WEARING AGAINST THE ANVIL.



10/10

GAGE BILT
MADE IN U.S.A.

GAGE BILT, INC.

44766 Centre Court (586) 226-1500
Clinton Twp. MI 48038 (586) 226-1505 Fax
e-mail: solutions@gagebilt.com / www.gagebilt.com

Type:		Fasteners:	Recommended Tool: GB7720
Self-Releasing		Bobtail® Lockbolt 5/8" & 16mm Diameter	
Ref. No.	Qty.	Description	BT20-7720-58
1	1	Anvil Assembly	12018
2	1	Anvil Holder	12017
3	1	Set Screw	401736
4	1	Puller	32012
5	3	Set Screw	401920