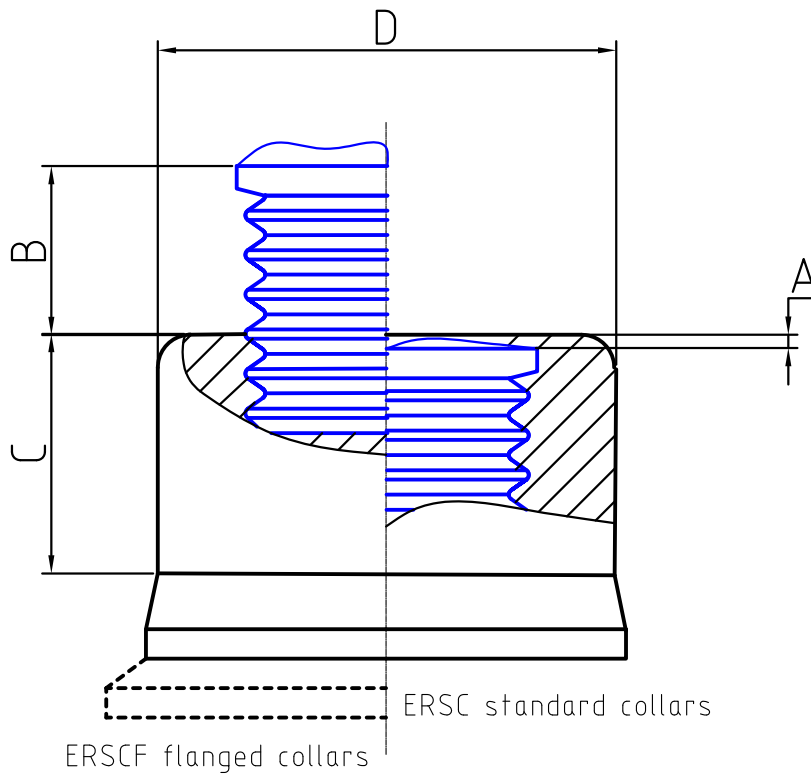


Unit:mm/ (inch)



Normal Size	A(mm)	A(inch)	B(mm)	B(inch)	C(mm)	C(inch)	D(mm)	D(inch)
	MAX		MIN		MIN		MAX	
3/16"	1.98	0.078	3.18	0.125	4.37	0.172	7.01	0.276
1/4"	1.98	0.078	3.96	0.156	6.35	0.250	9.25	0.364
5/16"	3.58	0.141	5.56	0.219	7.14	0.281	11.53	0.454
3/8"	3.18	0.125	7.14	0.281	8.74	0.344	13.26	0.522

Normal Size	A(mm)	A(inch)	B(mm)	B(inch)	C(mm)	C(inch)	D(mm)	D(inch)
	MAX		MAX		MIN		MAX	
1/2"	1.60	0.063	9.53	0.375	10.32	0.406	18.62	0.733
5/8"	1.60	0.063	9.53	0.375	15.88	0.625	23.27	0.916
3/4"	1.60	0.063	9.53	0.375	16.67	0.656	28.19	1.110
7/8"	1.60	0.063	9.53	0.375	19.05	0.750	32.56	1.282
1"	1.60	0.063	9.53	0.375	22.23	0.875	37.21	1.465
1-1/8"	1.60	0.063	15.88	0.625	23.02	0.906	41.81	1.646

2013.10.22

No,

Alternation:

Date:

Check:

Approved:

Customer:

Lock Pins Inspection Data

Customer's P/No.:

Customer's Drawing: