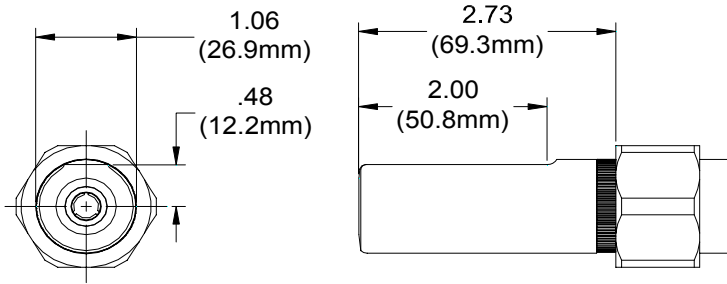
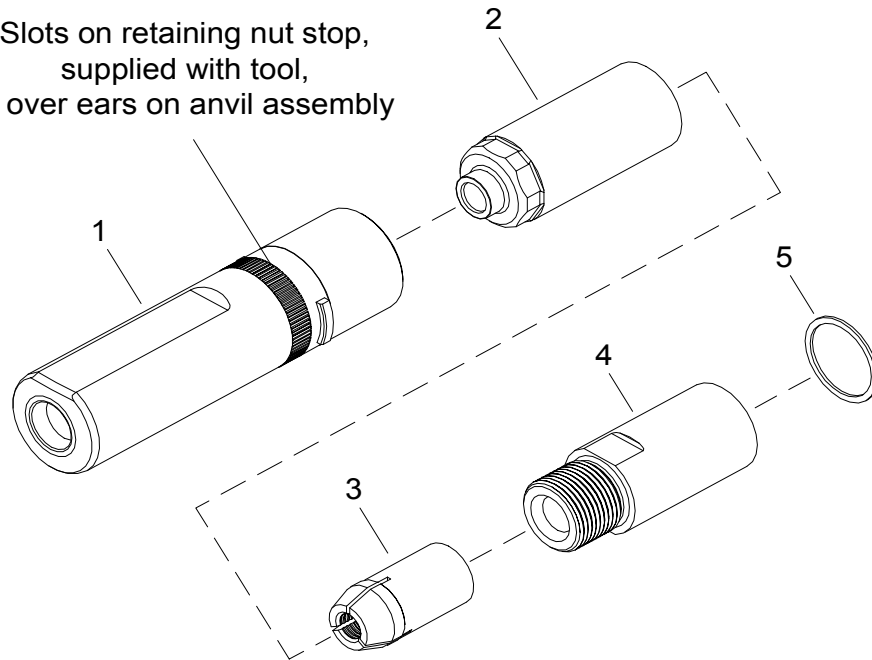


NOSE ASSEMBLY DATA SHEET



Use Hex-Key in rear of piston for nose assembly attachment.

Slots on retaining nut stop, supplied with tool, fit over ears on anvil assembly



12/06



*Anvil Assembly includes 35308 retainer.
**GB745 not recommended for C120L lockbolts.

GAGE BILT
MADE IN U.S.A.

GAGE BILT Inc.
44766 Centre Court (586) 226-1500
Clinton Twp. MI 48038 (586) 226-1505 Fax
e-mail:solutions@gagebilt.com / www.gagebilt.com

Type:		Fasteners:	Recommended Tools: **GB745
Non Self-Releasing 5/16 Ø		Commercial Lockbolt	Alternate Tools: GBP4801B & GBP4804
Ref. No.	Qty.	Description	LB10-745C-26
1	1	Anvil	11002
2	1	Collet	21041
3	1	Super-Grip Jaw Assembly	31028-S
4	1	Collet Extension	71219
5	1	Shim	35300