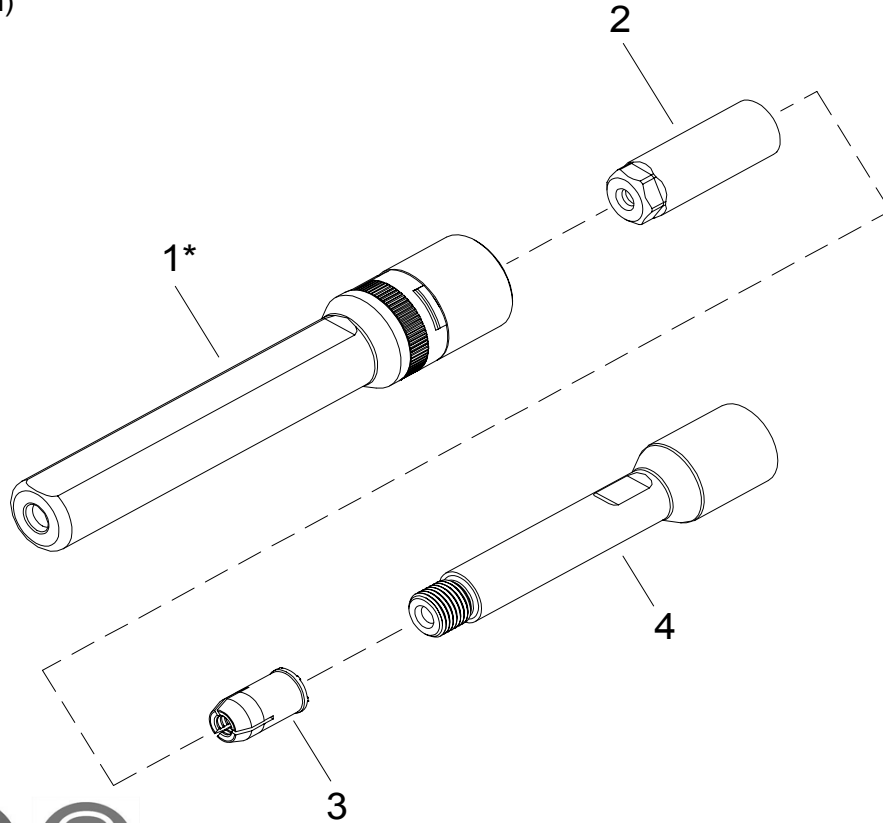
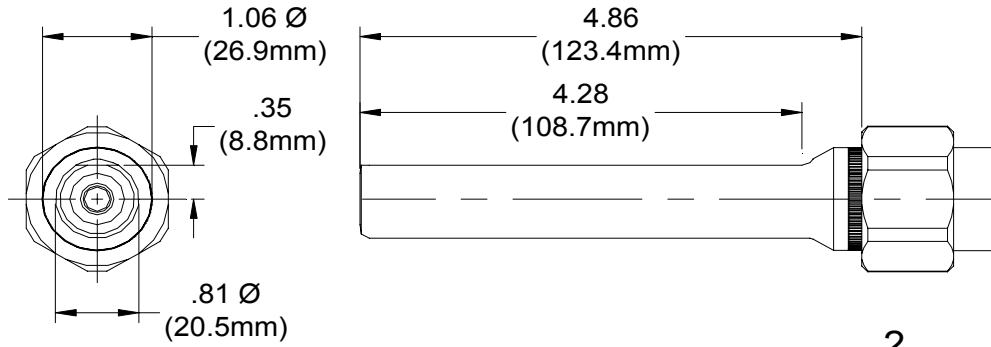


NOSE ASSEMBLY DATA SHEET



9/04 Rev. 9/11

*Anvil Adapter includes 35308 retainer.

GAGE BILT

GAGE BILT Inc.

44766 Centre Court (586) 226-1500
 Clinton Twp., MI 48038 (586) 226-1505 Fax
 e-mail:solutions@gagebilt.com / www.gagebilt.com

Type:		Fasteners:	Recommended Tool: GB745	
Single Action 3/16" & 1/4" Ø		Magna Grip® Maxlok®	Alternate Tool: GBP4801B	
Ref. No.	Qty.	Description	MG06-745-48	MG08-745-48
1	1	Anvil Assembly	16675	18845
2	1	Collet	20636	20841
3	1	Super-Grip Jaw Assembly	30652-S	30860-S
4	1	Collet Extension	70642	70642

MAGNA-GRIP® IS A REGISTERED TRADEMARK OF ALCOA INC. MAXLOK® IS A REGISTERED TRADEMARK OF AVDEL UK LIMITED.