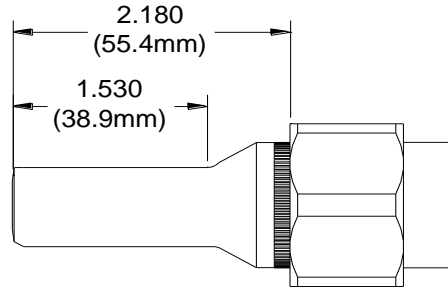
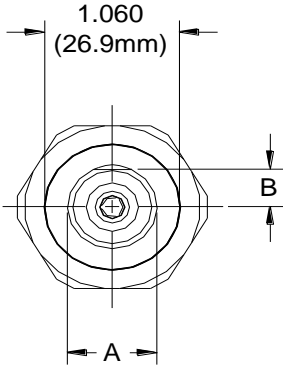


# NOSE ASSEMBLY DATA SHEET

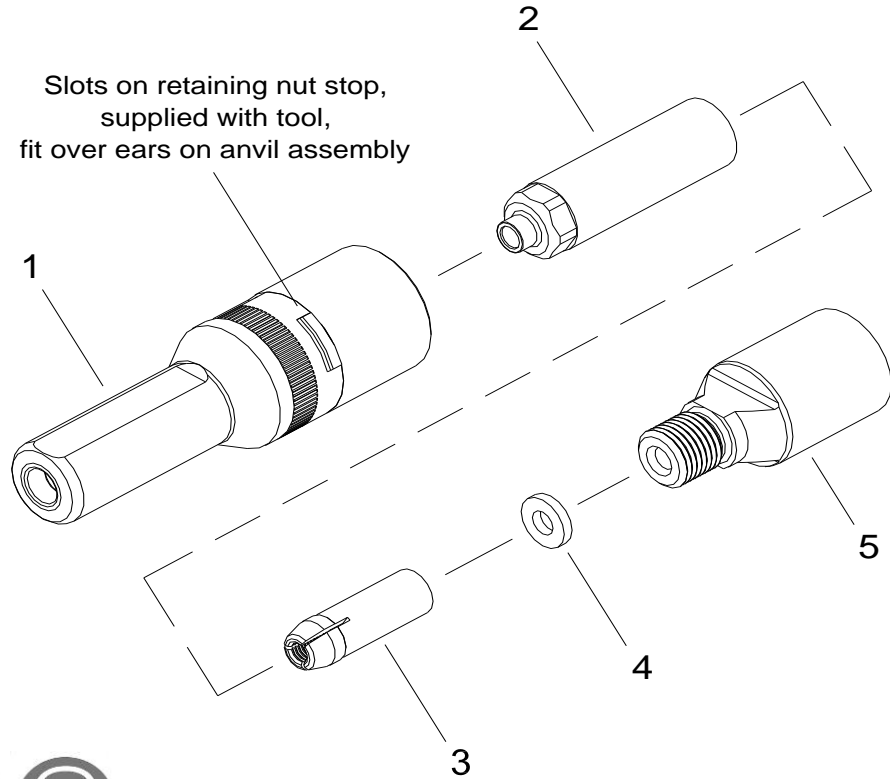


Use Hex-Key in rear of piston for nose assembly attachment.

A 05-.635 (16.1mm)  
06-.705 (17.9mm)  
08-.750 (19.1mm)

B 05-.290 (7.4mm)  
06-.320 (8.1mm)  
08-.350 (8.9mm)

Slots on retaining nut stop, supplied with tool, fit over ears on anvil assembly



5/05 Rev. 3/14

\*Anvil Assembly includes 35308 retainer.

**GAGE BILT**  
MADE IN U.S.A.

**GAGE BILT Inc.**

44766 Centre Court (586) 226-1500  
Clinton Twp. MI 48038 (586) 226-1505 Fax  
e-mail:solutions@gagebilt.com / www.gagebilt.com

Type:		Fasteners:			Recommended Tool: GB745	
Non Self-Releasing 5/32, 3/16 & 1/4 Ø		**NAS Shear and ***NAS Tension Pull Type Lockbolts, C6L® & **GP® lockbolts			Alternate Tools: GB756 & GB2581	
Ref. No.	Qty.	Description	**NASS05-755-23	***NAST05-755-23	NAS06-755-23	NAS08-755-23
1	1	Anvil	10586	10568	16606	18801
2	1	Collet	20583	20583	26605	28841
3	1	Super-Grip Jaw Assembly	30543-S	30543-S	30654-CS	30861-S1
4	1	Spacer	-----	-----	60615	60832
5	1	Collet Extension	70552	70552	70635	70836