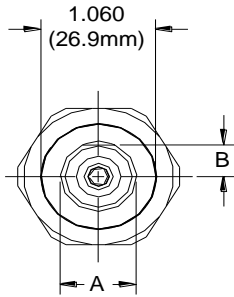
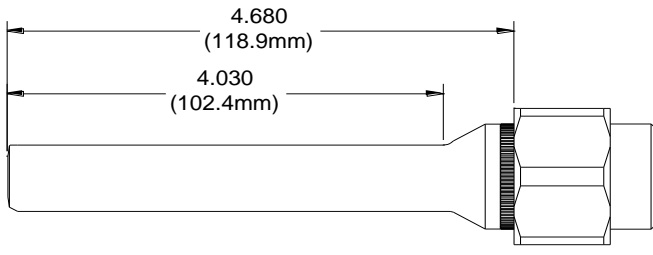


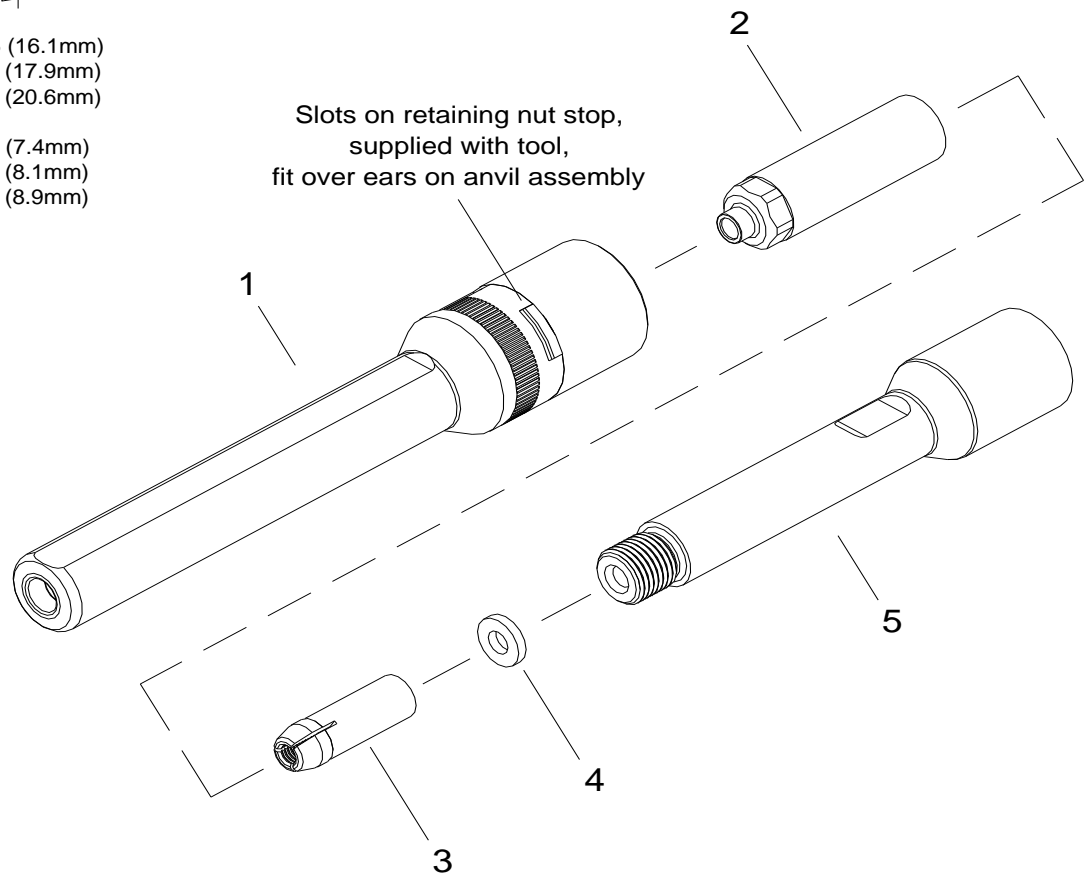
NOSE ASSEMBLY DATA SHEET



- A 05-.635 (16.1mm)
 06-.705 (17.9mm)
 08-.812 (20.6mm)
- B 05-.290 (7.4mm)
 06-.320 (8.1mm)
 08-.350 (8.9mm)



Use Hex-Key in rear of piston for nose assembly attachment.



5/05 Rev. 3/14

*Anvil Assembly includes 35308 retainer.

GAGE BILT

GAGE BILT Inc.

44766 Centre Court (586) 226-1500
 Clinton Twp., MI 48038 (586) 226-1505 Fax
 e-mail:solutions@gagebilt.com / www.gagebilt.com

Type:		Fasteners:			Recommended Tool: GB745	
Non Self-Releasing 5/32, 3/16 & 1/4 Ø		**NAS Shear and ***NAS Tension Pull Type Lockbolts, C6L® & **GP® lockbolts			Alternate Tools: GB756 & GB2581	
Ref. No.	Qty.	Description	**NASS05-755-48	***NAST05-755-48	NAS06-755-48	NAS08-755-48
1	1	Anvil	10587	10570	16607	18802
2	1	Collet	20583	20583	26605	28841
3	1	Super-Grip Jaw Assembly	30543-S	30543-S	30654-CS	30861-S1
4	1	Spacer	-----	-----	60615	60832
5	1	Collet Extension	70553	70553	70638	70837