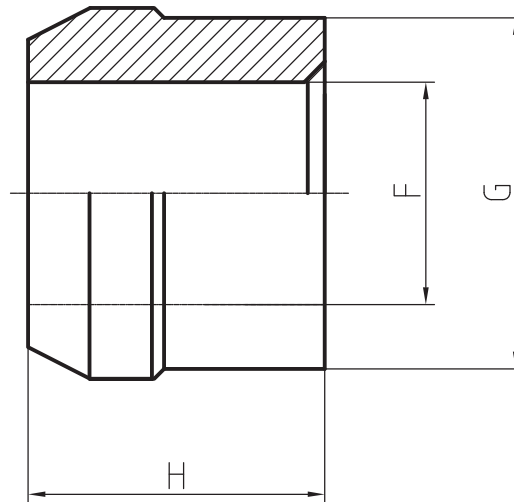


ERSC X-G - Standard Collars 4.8mm - 9.6mm (3/16" - 3/8")



Technical Requirements

Material: Low Carbon Steel

Heat Treatment: Annealing

Smooth Surface: Without Burr

Surface Treatment: Minimum 5µm Zinc Clear and Waxed

| Size | F (mm) | | F (inch) | | G (mm) | | G (inch) | | H (mm) | | H (inch) | |
|----------|--------|------|----------|-------|--------|-------|----------|-------|--------|-------|----------|-------|
| | Min | Max | Min | Max | Min | Max | Min | Max | Min | Max | Min | Max |
| ERSC 06G | 4.75 | 4.98 | 0.187 | 0.196 | 7.72 | 7.90 | 0.304 | 0.311 | 5.59 | 6.60 | 0.220 | 0.260 |
| ERSC 08G | 6.50 | 6.73 | 0.256 | 0.265 | 10.21 | 10.39 | 0.402 | 0.409 | 7.37 | 8.13 | 0.290 | 0.320 |
| ERSC 10G | 7.72 | 7.92 | 0.304 | 0.312 | 12.32 | 12.55 | 0.485 | 0.494 | 8.89 | 9.65 | 0.350 | 0.380 |
| ERSC 12G | 9.53 | 9.78 | 0.375 | 0.385 | 14.99 | 15.24 | 0.590 | 0.600 | 10.92 | 11.68 | 0.430 | 0.460 |